

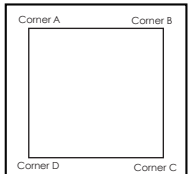


Item	Qty.	Description
1	1	32.07" TSP49 Curved SEG Extrusion
2	1	32.07" TSP49 Curved SEG Extrusion
3	1	32.07" TSP49 Curved SEG Extrusion
4	1	32.07" TSP49 Curved SEG Extrusion
5	1	20"w TSP49 Horizontal SEG Extrusion
6	1	20"w TSP49 Horizontal SEG Extrusion
7	1	16.4170"w Z45 Horizontal Extrusion w/ 6"w S10

Steps:

- 1) Connect [1] to [2] and [3] to [4].
 - 2) Connect [1/2] and [3/4] with [5].
 - 3) Slide [7] into groove.
 - 4) Connect [1/2] and [3/4] with [6] and assembled lightbox.
 - 5) Attach assembled frame to base with bolts.
 - 6) Attach front SEG graphics.
 - 7) Position part [7] and lock in place.
 - 8) Attach iPad mount see detail.
- Continued page 2 --

Graphic: To Ensure Proper Fit



It is important to first insert graphic into each alternate corner then to the sides of the frame. If this is not done, graphic will not fit into the frame correctly.



Step 1
Insert corner A. Turn edge of graphic so silicon welt is perpendicular to face of graphic. Insert narrow side of welt with fabric to outside into the channel. Repeat for other side of this corner.



Step 2
Repeat Step 1 for opposite corner C, then insert corner B, followed by corner D, to complete the installation of the corners.

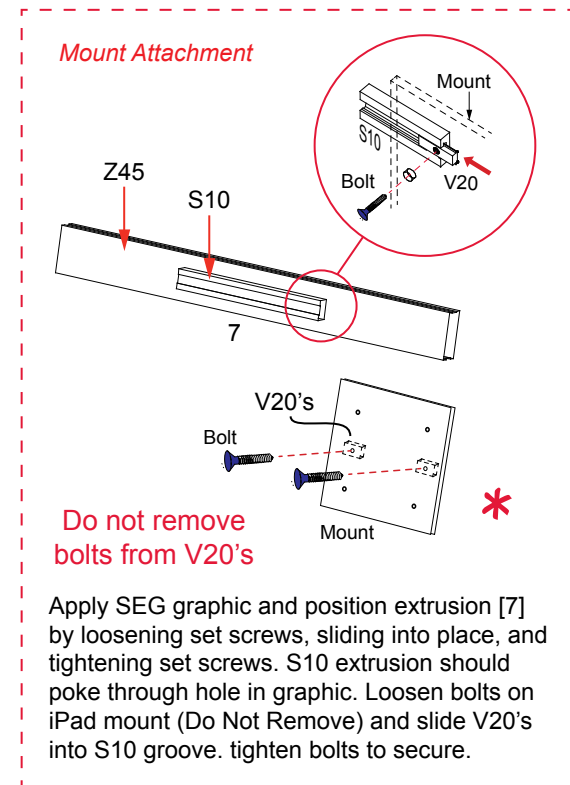
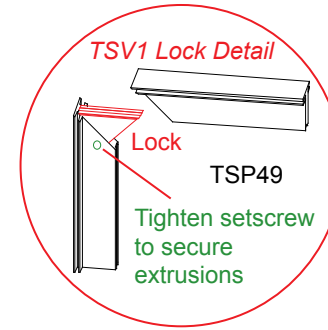
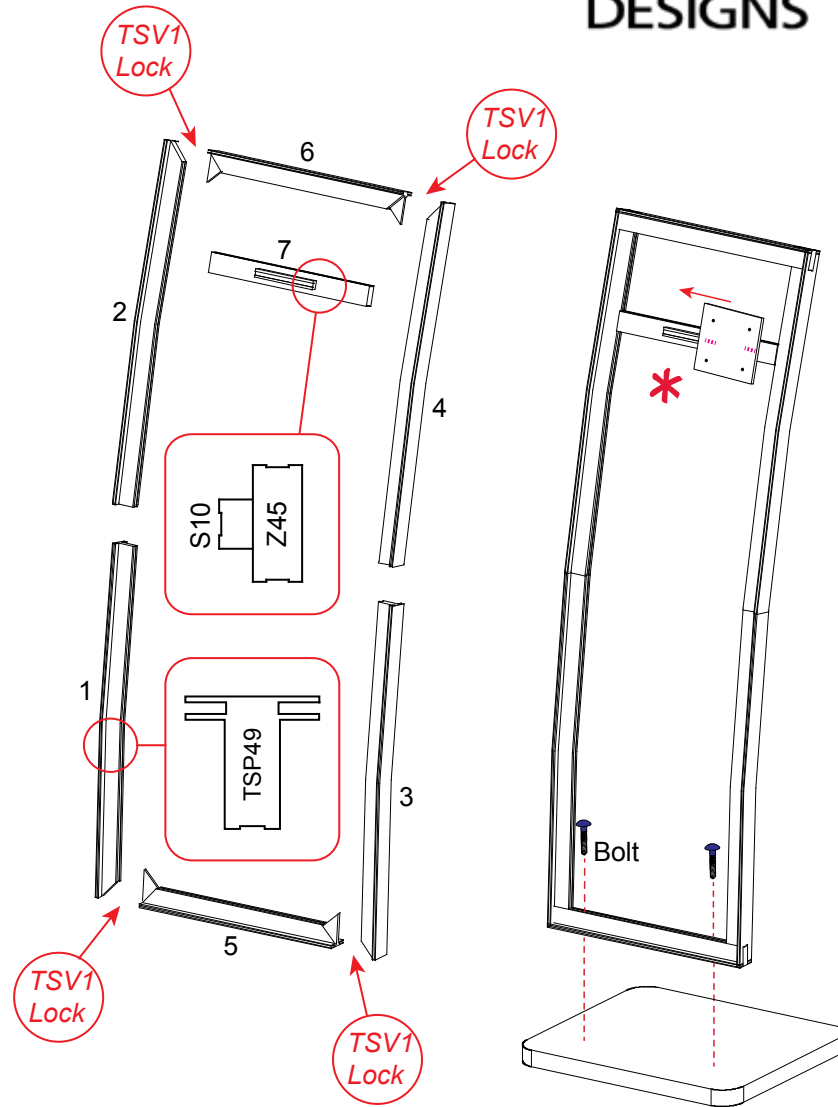
Graphic Removal



To remove the graphic from the frame, locate the fabric pull tab. Gently pull up on the tab to remove the fabric.



Step 3
Once all corners are inserted, press one silicon edge into channel from corners and work toward the center. Make sure welt is fully inserted into channel. Continue until all sides are done. Smooth out edges of graphic.

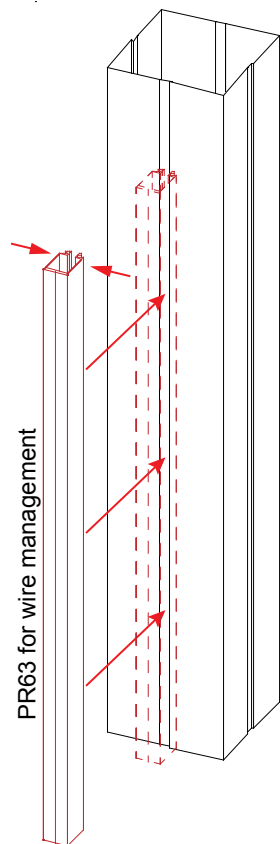


WHEN DISASSEMBLING ALUMINUM EXTRUSION, TIGHTEN ALL SETSCREWS AND LOCKS TO PREVENT LOSS DURING SHIPPING

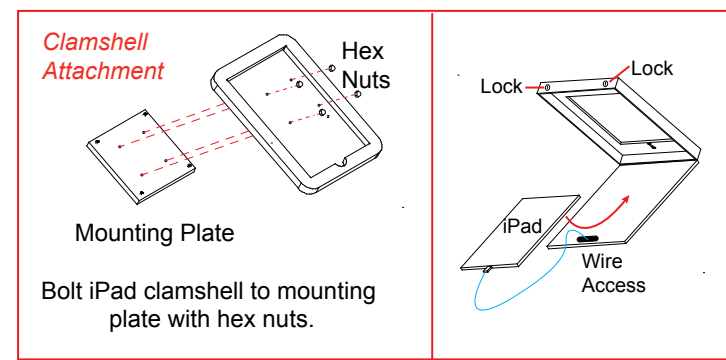
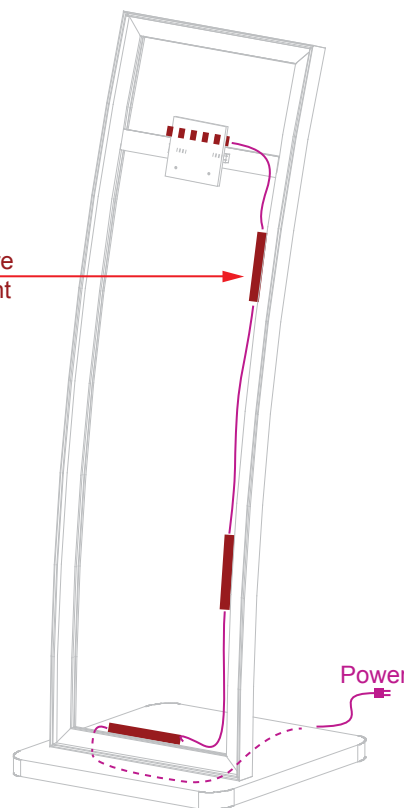
Wire Management Attachment

Steps:

- 1) Run cords through plastic conduit.
- 2) Attach conduit where indicated by pinching the opening and inserting into the groove.



PR63 for wire management



Clamshell Attachment

Hex Nuts

Mounting Plate

Bolt iPad clamshell to mounting plate with hex nuts.

Lock

Lock

Lock

Lock

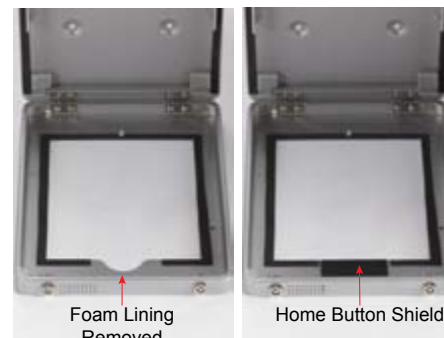
iPad

Wire Access

Steps (Cont'd):

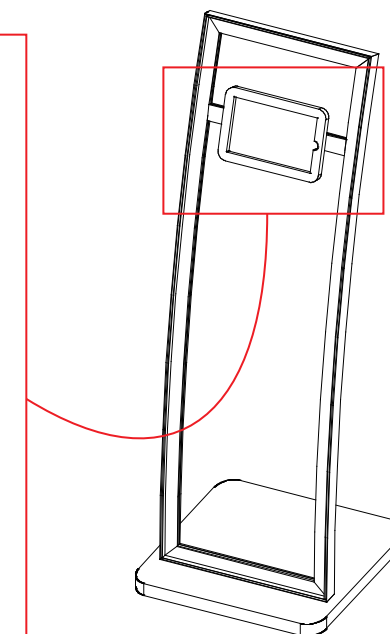
- 09) Attach clamshell with iPad and arrange cords.
- 10) Attach PR63 for wire management.
- 11) Apply back SEG graphic to assembled frame.

Optional Cover for Home Button



- 1) Remove foam lining from inside bottom of clamshell as shown.
- 2) Attach Home Button Shield with double-sided tape to inside of clamshell, keeping top of shield flush with clamshell opening as shown.

NOTE: This is a permanent fix and can't be easily removed.



When assembled

WHEN DISASSEMBLING ALUMINUM EXTRUSION, TIGHTEN ALL SETSCREWS AND LOCKS TO PREVENT LOSS DURING SHIPPING



Using Your Setup Instructions

The Visionary Designs Setup Instructions are created specifically for your configuration. They are laid out sequentially, including an exploded view of the entire display, and then a logical series of detailed steps to assemble the main structure and components. We encourage you to study the instructions **before** attempting to assemble your exhibit.

Each page reminds you to tighten the setscrews after disassembling your exhibit to prevent loss of the locks and setscrews (see below in RED). This is **VERY IMPORTANT**.

Cleaning and Packing Your Display

- 1) Use care when cleaning aluminum extrusion or acrylic inserts. Use only non-abrasive cleaners.
- 2) When cleaning laminate inserts or countertops, use mild cleansers and a soft material such as cotton.
- 3) Keep all display components away from extreme heat and long exposure to sunlight to avoid warping and fading.
- 4) Retain all packing material. It will make re-packing much easier and will reduce the likelihood of shipping damage.



Most Visionary Designs exhibits can be assembled with the supplied Hex Key Tool. Occasionally, a flat head screwdriver may be required.



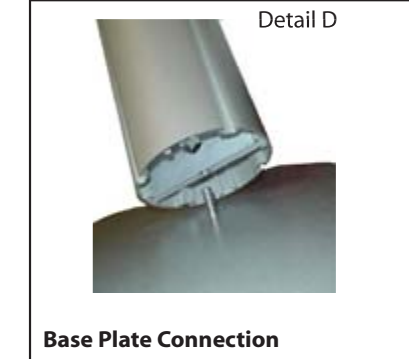
Most horizontal extrusion connections have a patented expandable lock. This lock inserts into the groove of an opposing extrusion. Tightening the lock with the Hex Key Tool expands the lock and creates a strong positive connection.



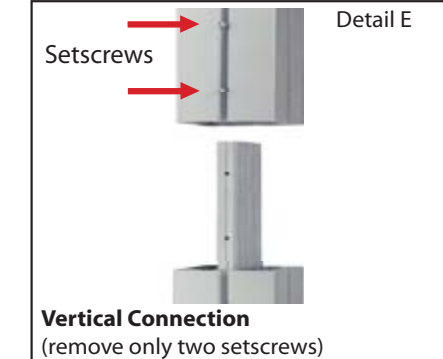
Each extrusion contains a numbered label which corresponds with setup instructions. The label is located within a groove of the extrusion (when possible). With Visionary Designs the labels contain Black numbers unless otherwise specified.



Remove only (1) setscrew when disassembling. Replace setscrew in extrusion after assembling it. Before packing, replace setscrew in extrusion to avoid losing it.



Attach base plate to round or square vertical extrusion using the bolt provided. Be careful not to strip the threads.

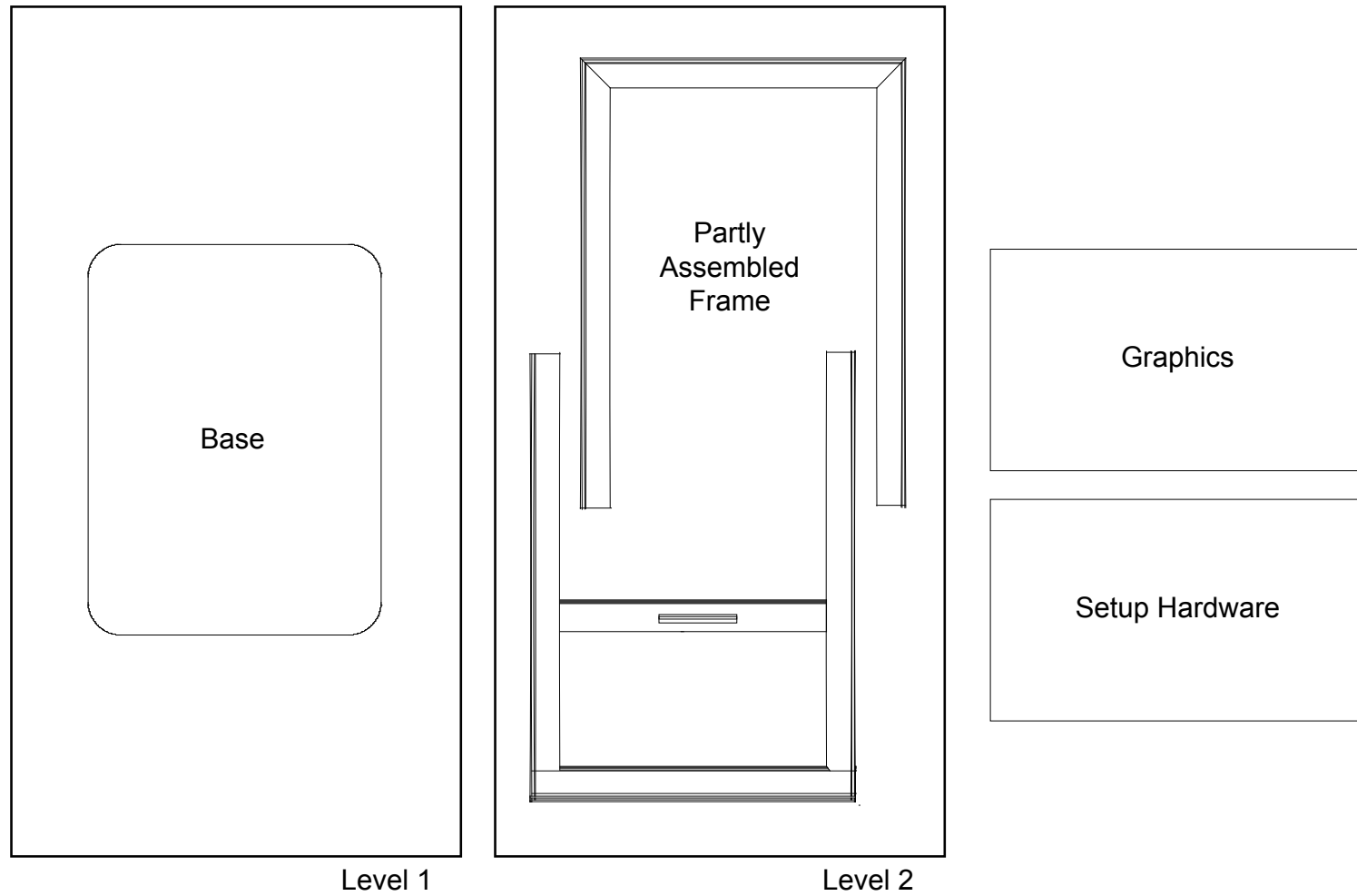


When vertical extrusions are packed in portable cases rather than crates or tubs, they must be broken down into smaller sections which then require assembly.

Remove only (2) setscrews when disassembling. Replace setscrews in extrusion after assembling it. Before packing, replace setscrews in extrusion to avoid losing them.

WHEN DISASSEMBLING ALUMINUM EXTRUSION, TIGHTEN ALL SETSCREWS AND LOCKS TO PREVENT LOSS DURING SHIPPING

Top View of Each Level



WHEN DISASSEMBLING ALUMINUM EXTRUSION, TIGHTEN ALL SETSCREWS AND LOCKS TO PREVENT LOSS DURING SHIPPING