


# Panoramic Frame

## Component - Pano\_Counter C

## Frame Assembly

Parts -	total # of pieces	Pano_I-Frame
Pano_I-Frame	4	
Pano_F-Frame - Top	3	
Pano_F-Frame - Bottom	3	
Counter top	1	

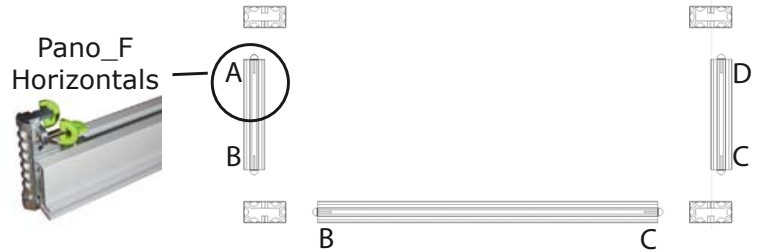
W:31.55" D:11.29" H:40.5"

### Pano\_F-Frame Horizontals

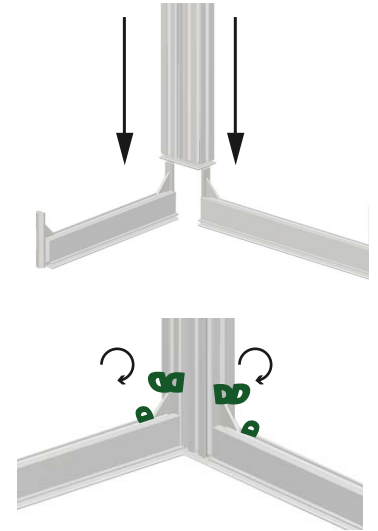
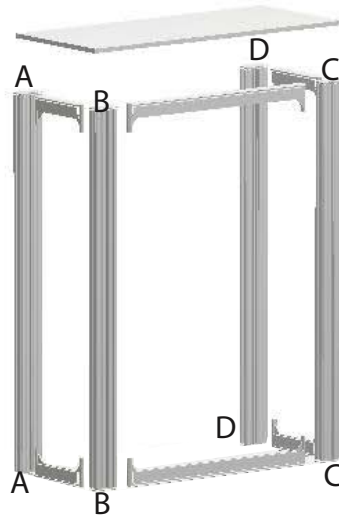


**Note: Frame connection points are labeled with letters.**  
**Graphic installation points are identified with numbers.**

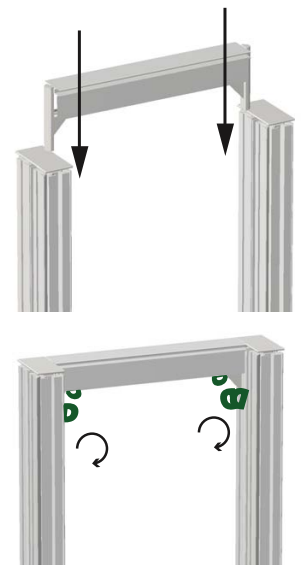
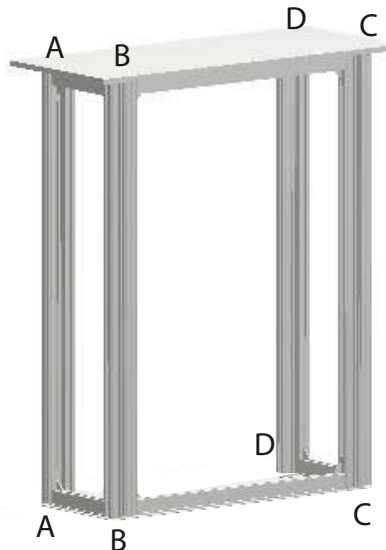
Step 1 - Arrange bottom Pano\_F horizontal sections in place according to frame detail. Corner connectors will already be in place and sections will be labeled with a single letter at each end.



Step 2 - Place assembled vertical posts down onto corner connector on horizontal section. Do one wall or section at a time. Tighten D screws on vertical posts.



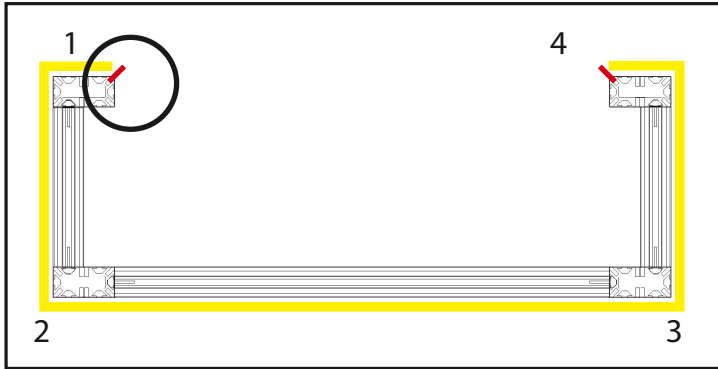
Step 3 - Top horizontal posts will have the same labels as the bottom horizontals with corner connectors attached. Slide top extrusion connectors down onto tops of vertical posts. Tighten D screws on vertical posts.



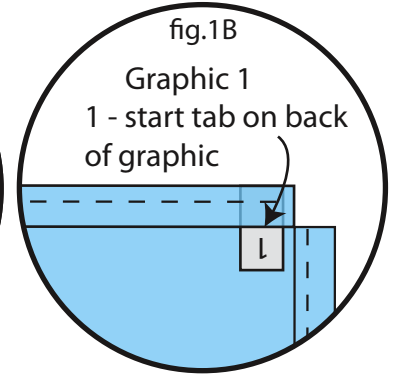
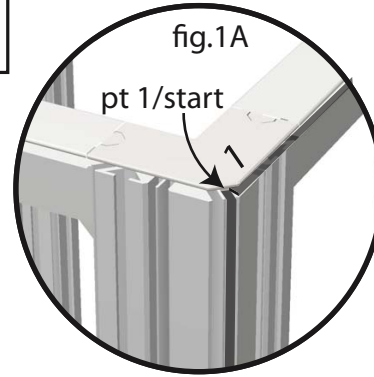
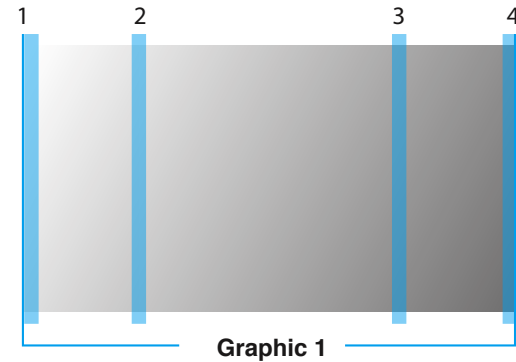
Step 4 - Set shelf in place and rest on pre-installed support brackets.

Step 5 - Install graphics.

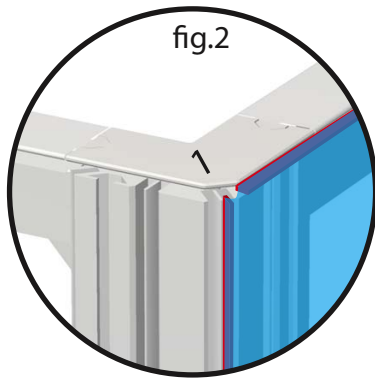
Step 6 - Counter top has cleats that align with inside edge of frame. Center and set in place.



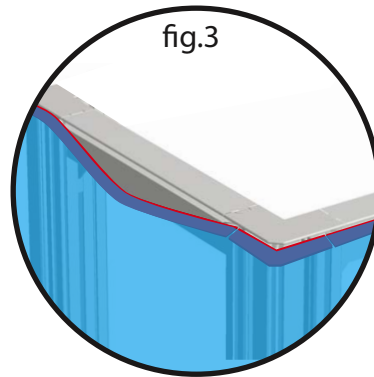
**Note: Frame connection points are labeled with letters.**  
**Graphic installation points are identified with numbers.**



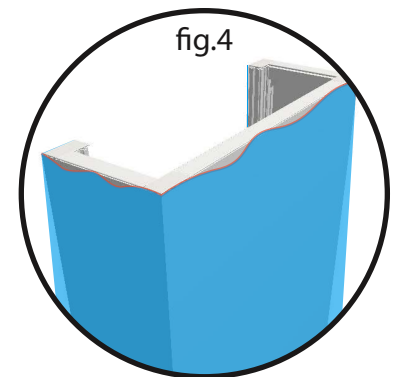
Step 1 - Identify start point on top of frame (fig. 1A, label-1) and graphic top left corner with start tab (fig. 1B, shown in blue).



Step 2 - Insert 1 Top corner of graphic and welt into top groove of L vertical post at point 1. Align welt on left with vertical groove, insert a few inches. See fig. 2



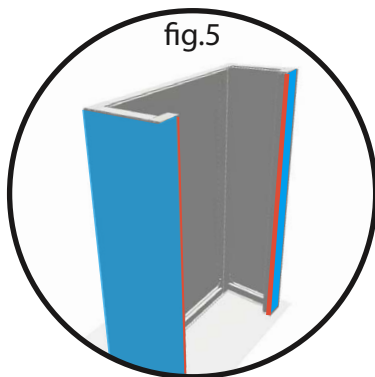
Step 3 - Align corner 2 of graphic with corner 2 on frame. Continue aligning corners around frame to final stop point.



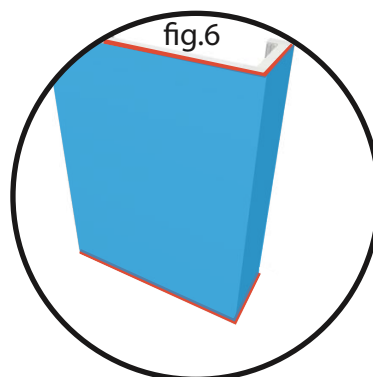
Step 4 - Work in top welt between corners from center out to corners making sure graphic is evenly distributed.

**Corners must be done first to assure proper fit.**

**Be sure to push graphic into the groove, not slide.**



Step 5 - Insert welt in vertical grooves between top and bottom corners. Work from middle out making sure graphic is evenly distributed.



Step 6 - Follow steps 1-5 for bottom of graphic.

