

Panoramic Frame

Component - Pano_Wall_10_C

Estimate detail

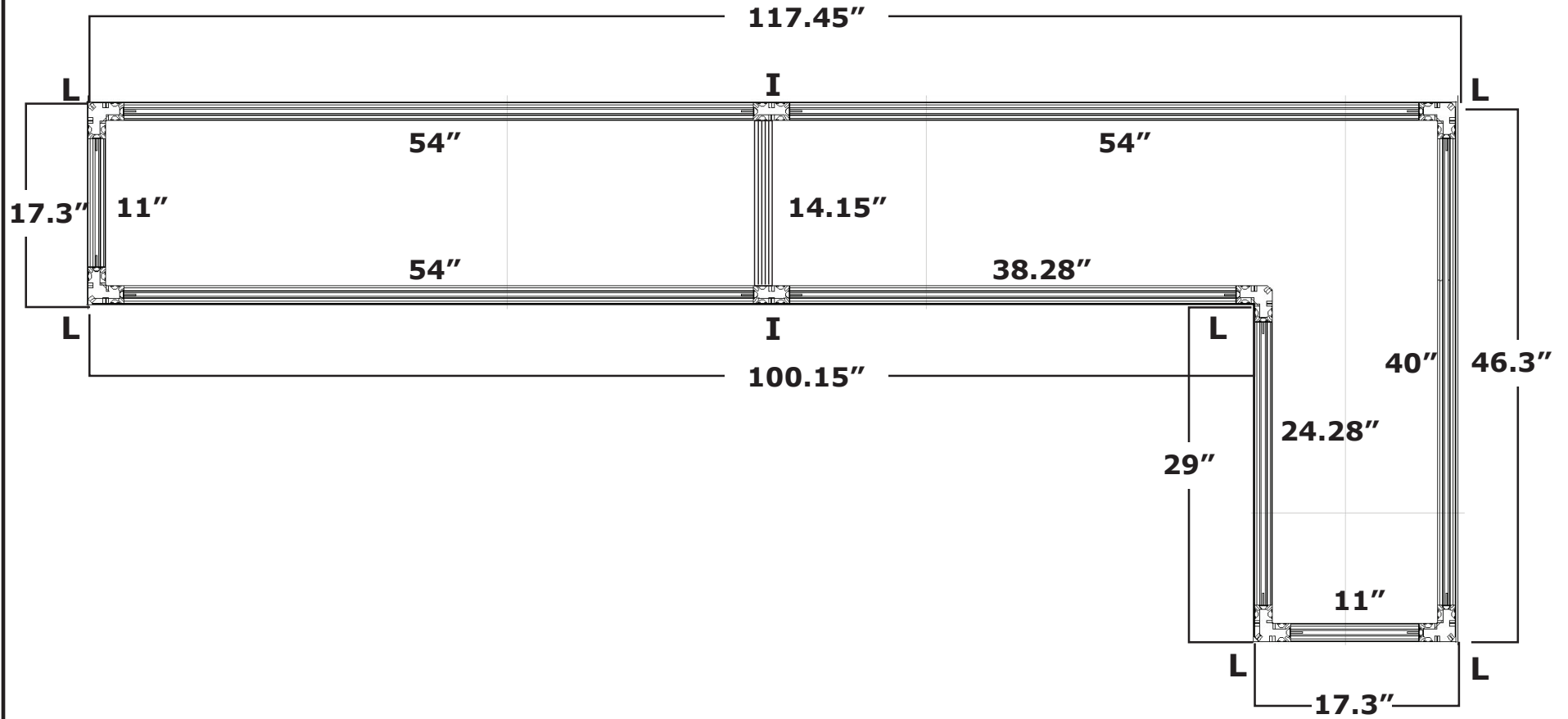
PanoEst_Wall_10_C

Estimate

04/08/11

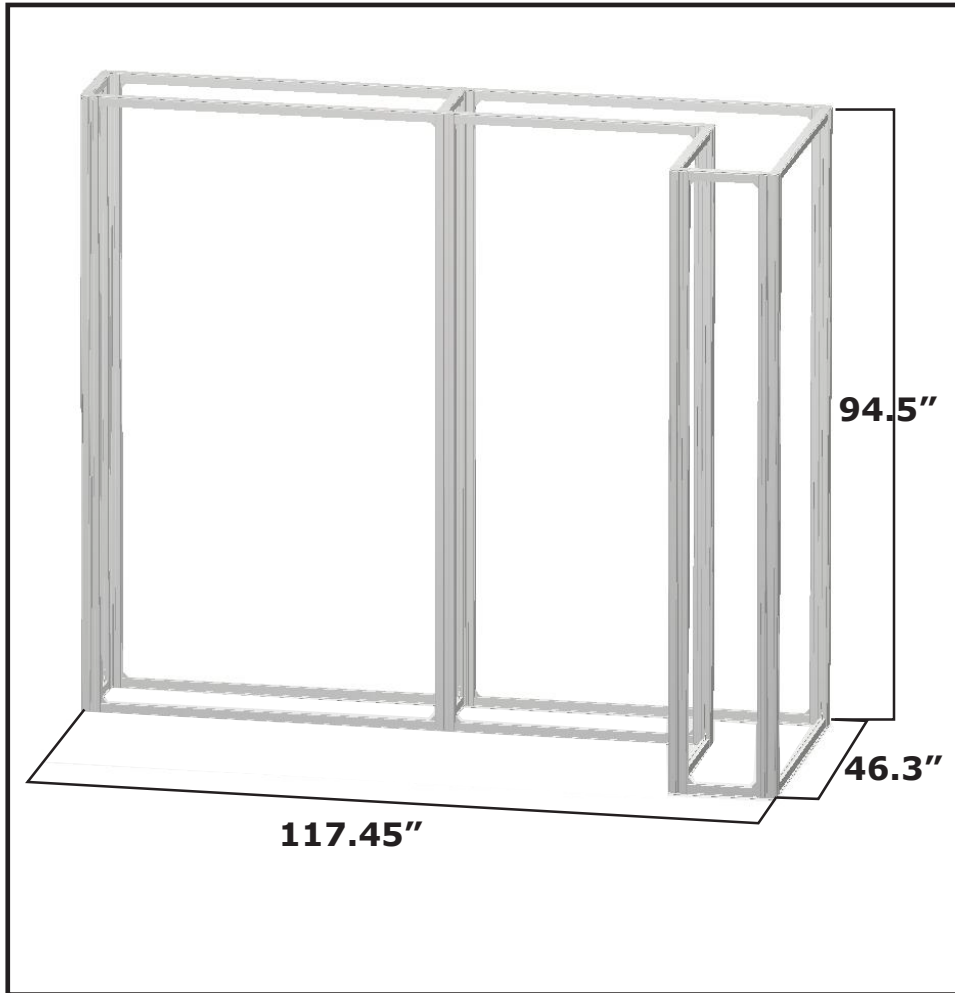
W:117.45" D:46.3" H:94.5"

Part Name	Part Dimension	Height in inches	Quantity	Linear foot totals
Pano_L_Frame	80x80mm/3.15x3.15	Total # of pcs	6	Total LF 47
		94	6	47
Pano_I_Frame	40x80mm/1.57x3.15	Total # of pcs	2	Total LF 15.6667
		94	2	15.6667
Pano_F - Top	40mmx40mm/1.57"x1.57	Length in inches	Quantity	
		Total # of pcs	9	Total LF 25.0592
		11	2	1.8333
		14.15	1	1.1792
		24.28	1	2.0233
		40	1	3.3333
		38.28	1	3.19
		54	3	13.5
Pano_F - Bottom	40mmx40mm/1.57"x1.57	Total # of pcs	9	Total LF 25.0592
		11	2	1.8333
		14.15	1	1.1792
		24.28	1	2.0233
		40	1	3.3333
		38.28	1	3.19
		54	3	13.5
		Total Graphic Square Foot Area		140.35

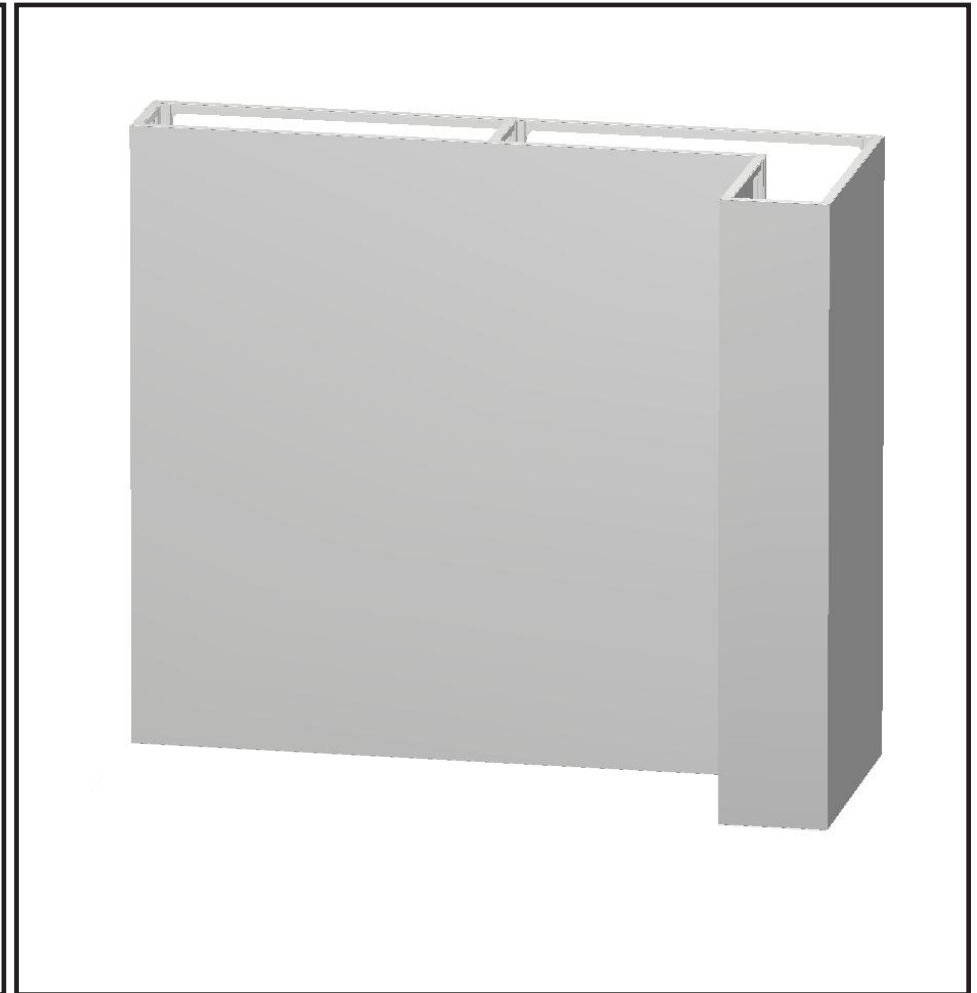


Plan View

Vertical Extrusion = 94"



ISO frame view



ISO frame w/ fpo view