

Panoramic Frame

Component - Pano_Wall_20_A

Estimate detail

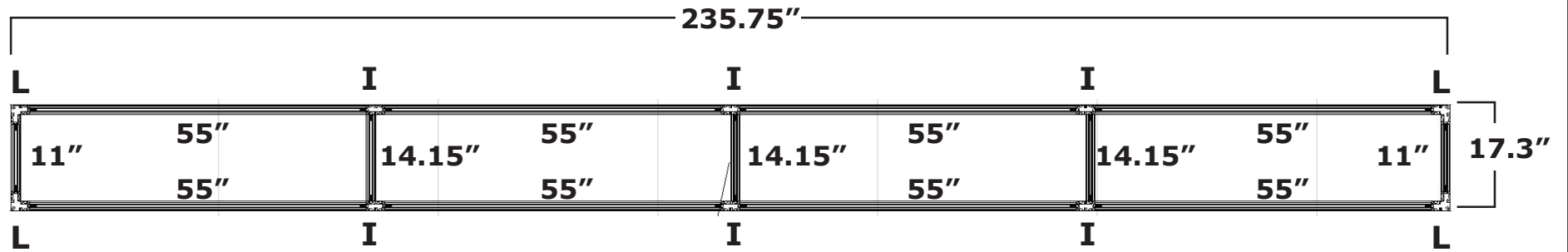
PanoEst_Wall_20_A

Estimate

04/08/11

W:235.75" D:17.3" H:94.5"

| Part Name | Part Dimension | Height in inches | Quantity | Linear foot totals |
|---------------------------------------|----------------------|------------------|----------|-------------------------|
| Pano_L_Frame | 80x80mm/3.15x3.15 | Total # of pcs | 4 | Total LF 31.3333 |
| | | 94 | 4 | 31.3333 |
| Pano_I_Frame | 40x80mm/1.57x3.15 | Total # of pcs | 6 | Total LF 47 |
| | | 94 | 6 | 47 |
| Pano_F - Top | 40mmx40mm/1.57"x1.57 | | | |
| | | Total # of pcs | 13 | Total LF 42.0375 |
| | | 11 | 2 | 1.8333 |
| | | 14.15 | 3 | 3.5375 |
| | | 55 | 8 | 36.6667 |
| Pano_F - Bottom | 40mmx40mm/1.57"x1.57 | Total # of pcs | 13 | Total LF 42.0375 |
| | | 11 | 2 | 1.8333 |
| | | 14.15 | 3 | 3.5375 |
| | | 55 | 8 | 36.6667 |
| Total Graphic Square Foot Area | | 179.60 | 1 | |



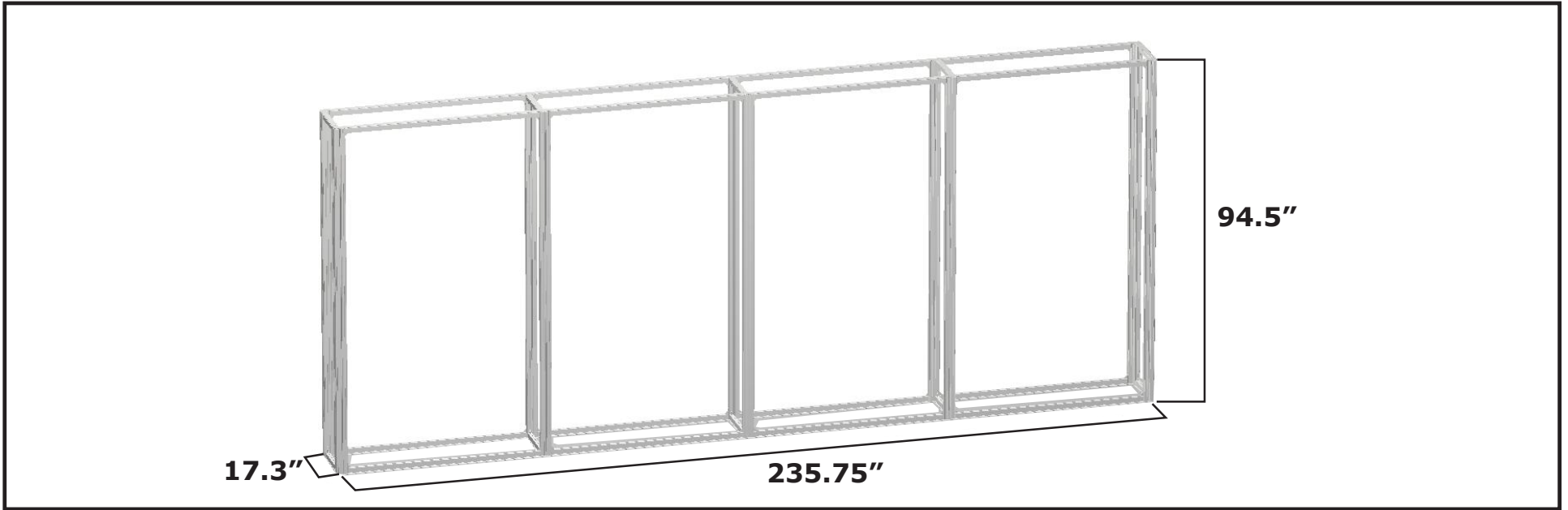
Plan View

Vertical Extrusion = 94"

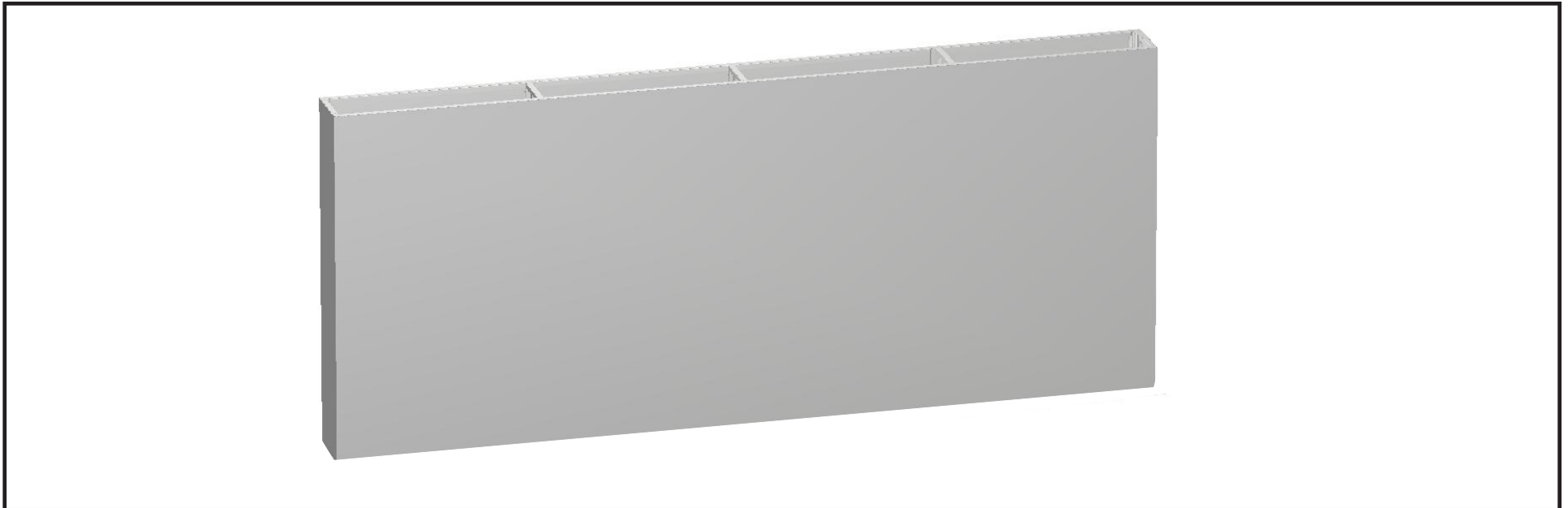
Panoramic Frame

Component - Pano_Wall_20_A

Frame detail



ISO frame view



ISO frame w/ fpo view