

Panoramic Frame

Component - Pano_Wall_20_B

Estimate detail

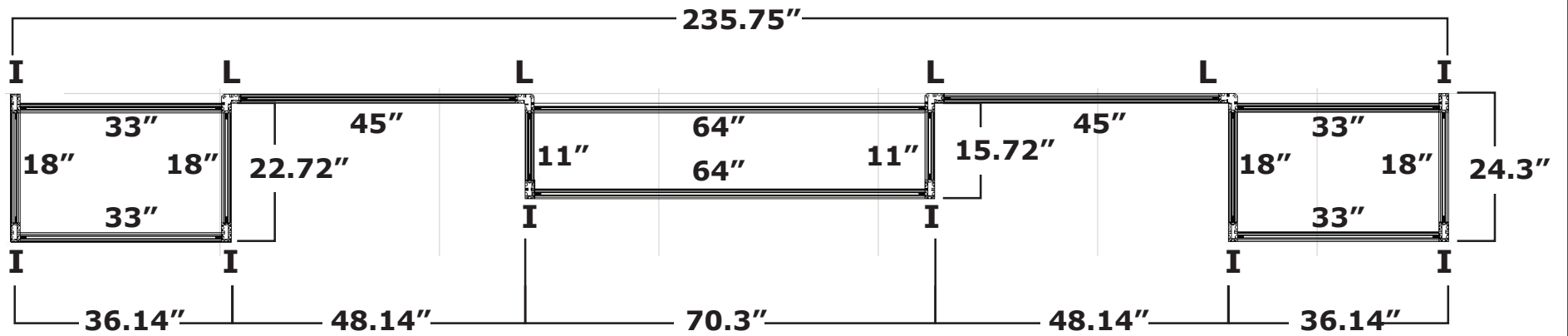
PanoEst_Wall_20_B

Estimate

04/08/11

W:235.18" D:24.3" H:94.5"

Part Name	Part Dimension	Height in inches	Quantity	Linear foot totals
Pano_L_Frame	80x80mm/3.15x3.15	Total # of pcs	4	Total LF 31.3333
		94	4	31.3333
Pano_I_Frame	40x80mm/1.57x3.15	Total # of pcs	8	Total LF 62.6667
		94	8	62.6667
Pano_F - Top	40mmx40mm/1.57"x1.57	Total # of pcs	14	Total LF 37
		18	4	6
		33	4	11
		45	2	7.5
		11	2	1.8333
		64	2	10.6667
Pano_F - Bottom	40mmx40mm/1.57"x1.57	Total # of pcs	14	Total LF 37
		18	4	6
		33	4	11
		45	2	7.5
		11	2	1.8333
		64	2	10.6667
Total Graphic Square Foot Area		244.45	1	



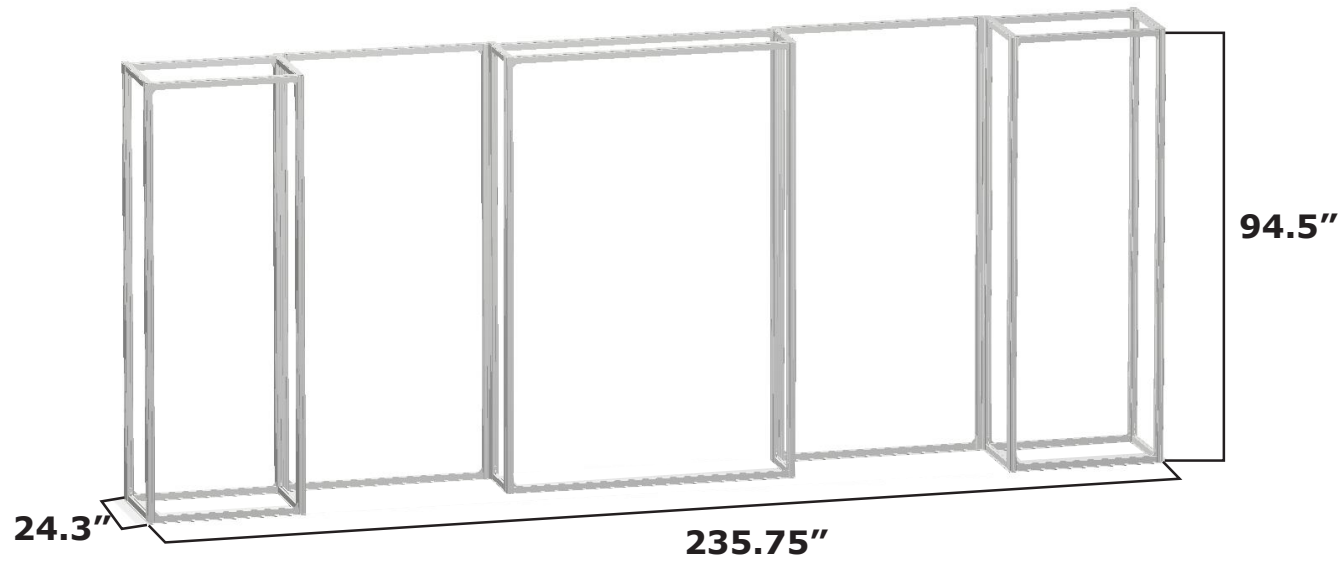
Plan View

Vertical Extrusion = 94"

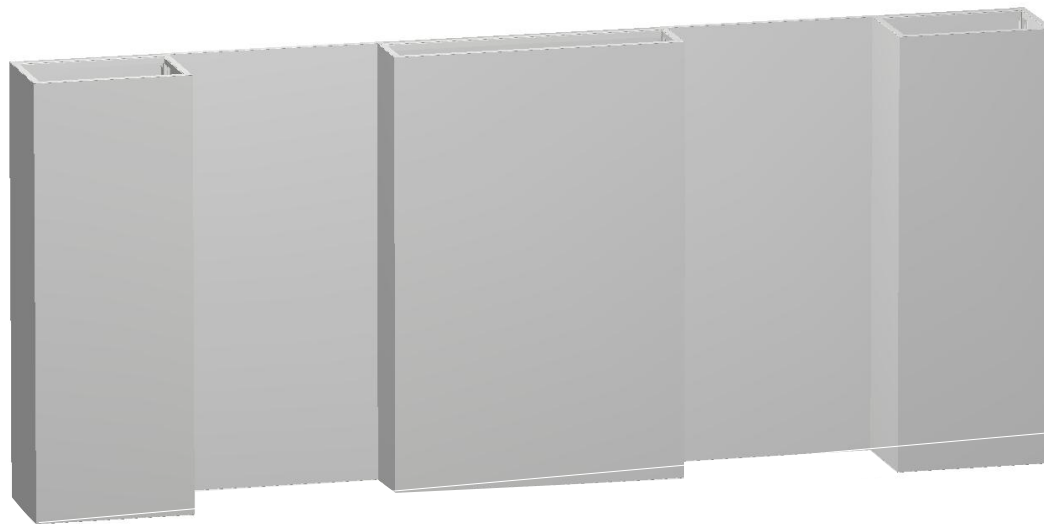
Panoramic Frame

Component - Pano_Wall_20_B

Frame detail



ISO frame view



ISO frame w/ fpo view