



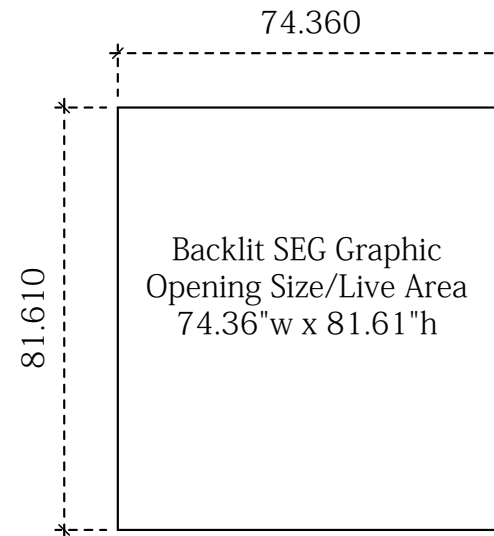
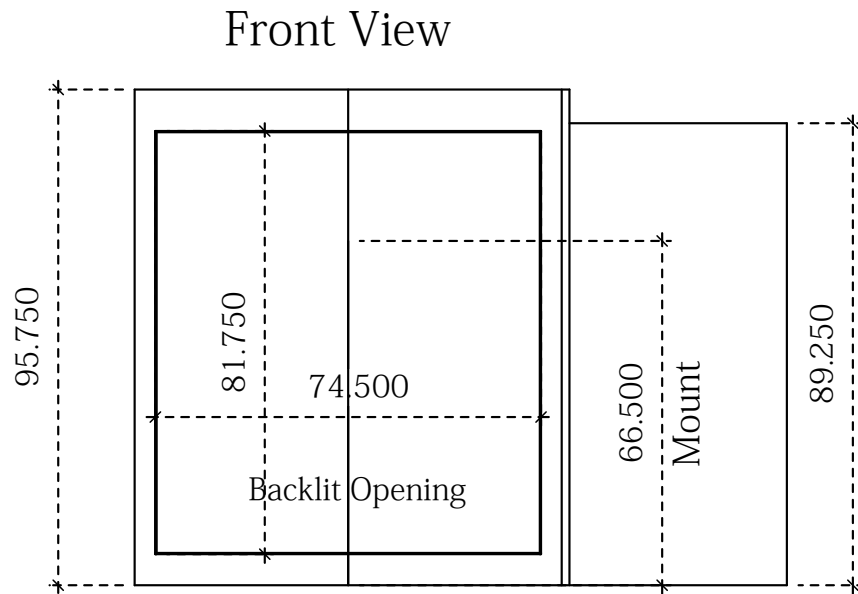
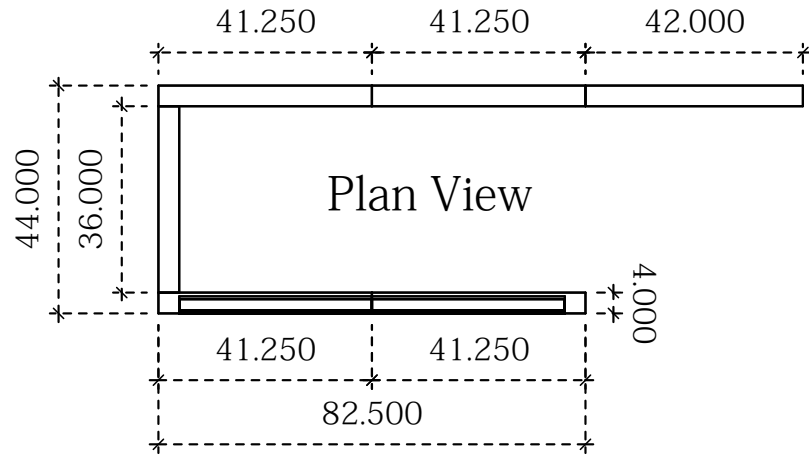
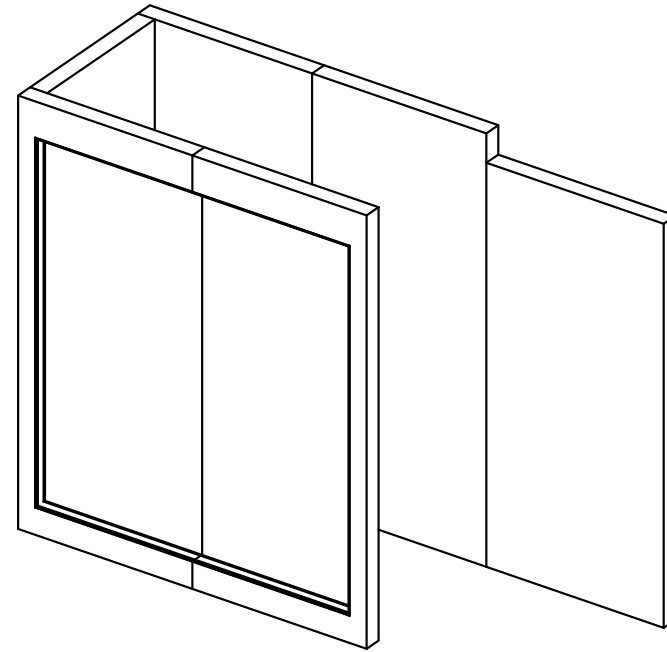
classicexhibits

Ph: 866.652.2100  
Fx: 503.652.7084

Drawing Number:  
Distributor Name:  
Client Name:

Attention:  
Date:  
Prepared By: Edie Arambula

2





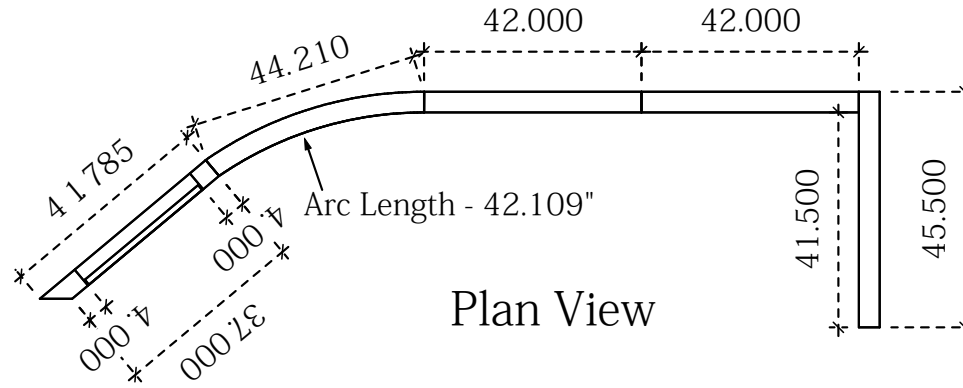
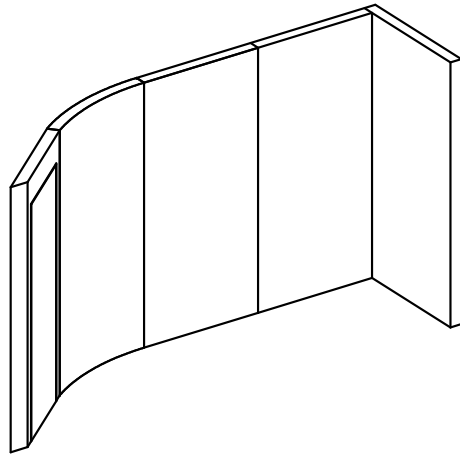
classicexhibits

Ph: 866.652.2100  
Fx: 503.652.7084

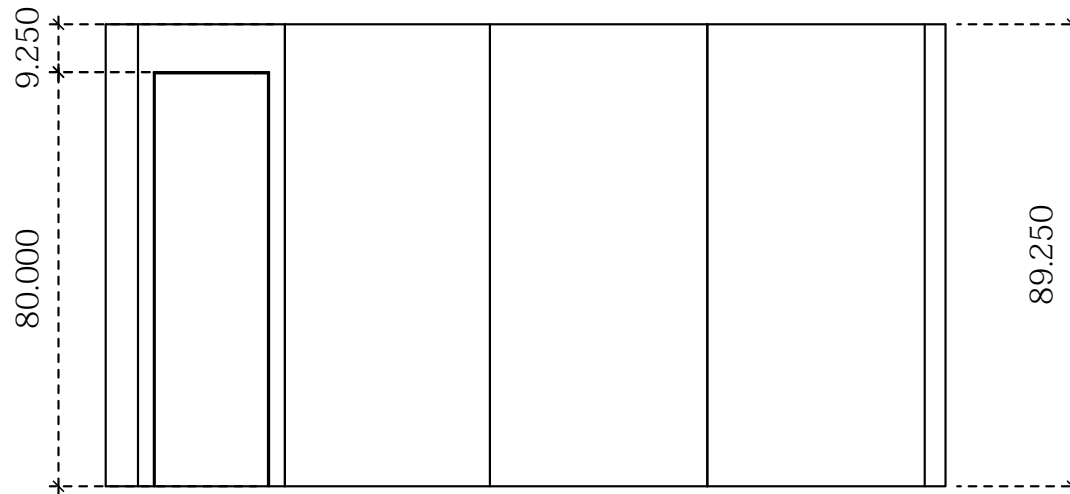
Drawing Number:  
Distributor Name:  
Client Name:

Attention:  
Date:  
Prepared By: Edie Arambula

1

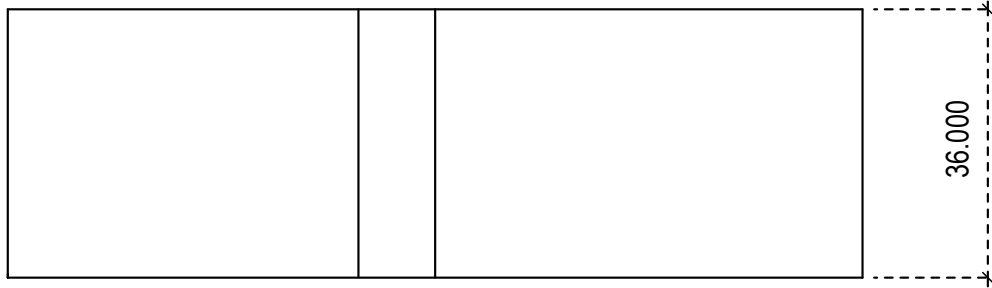


Front View

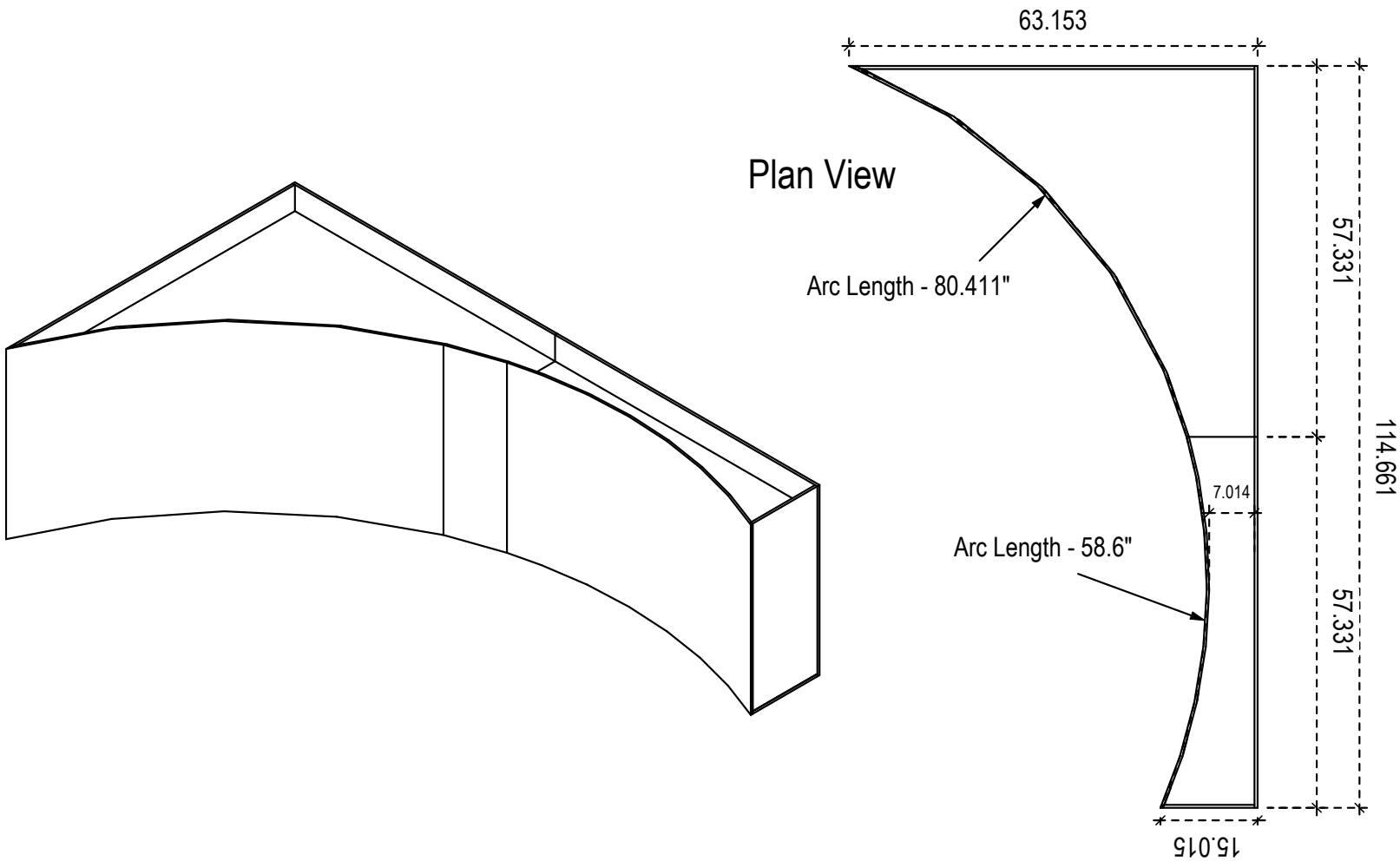


Planter Box (breaks into 2 sections)  
Will have Graphic overlay

Front View



Plan View



classicexhibits

Ph: 866.652.2100  
Fx: 503.652.7084

Drawing Number:  
Distributor Name:  
Client Name:

Attention:  
Date:  
Prepared By: Edie Arambula

3



classicexhibits

Ph: 866.652.2100  
Fx: 503.652.7084

Drawing Number:  
Distributor Name:  
Client Name:

Attention:  
Date:  
Prepared By: Edie Arambula

4

